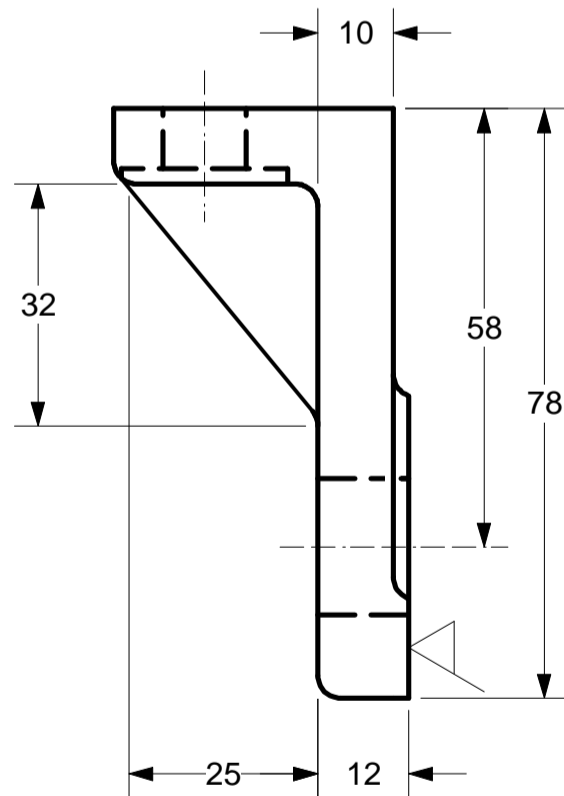
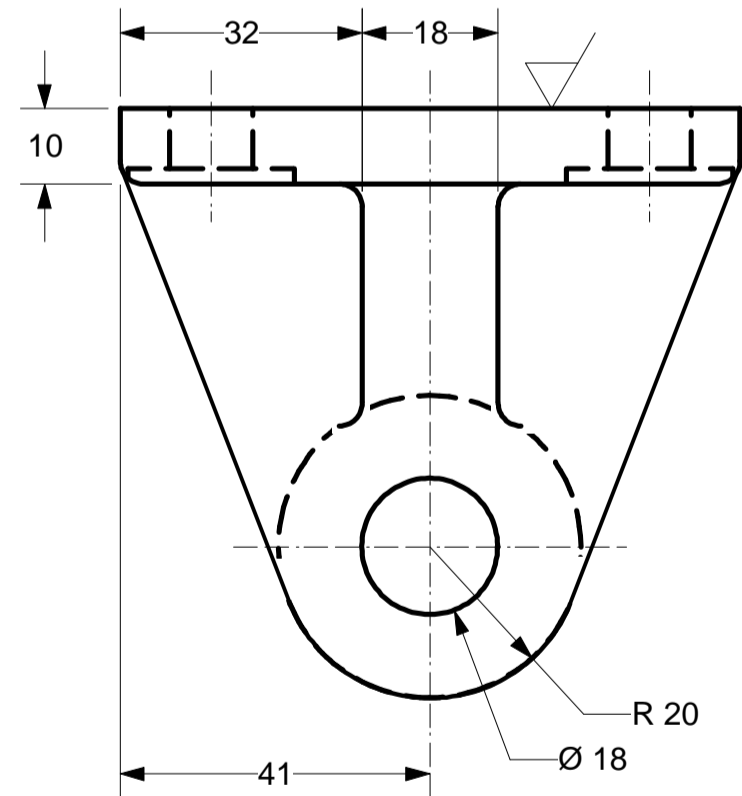
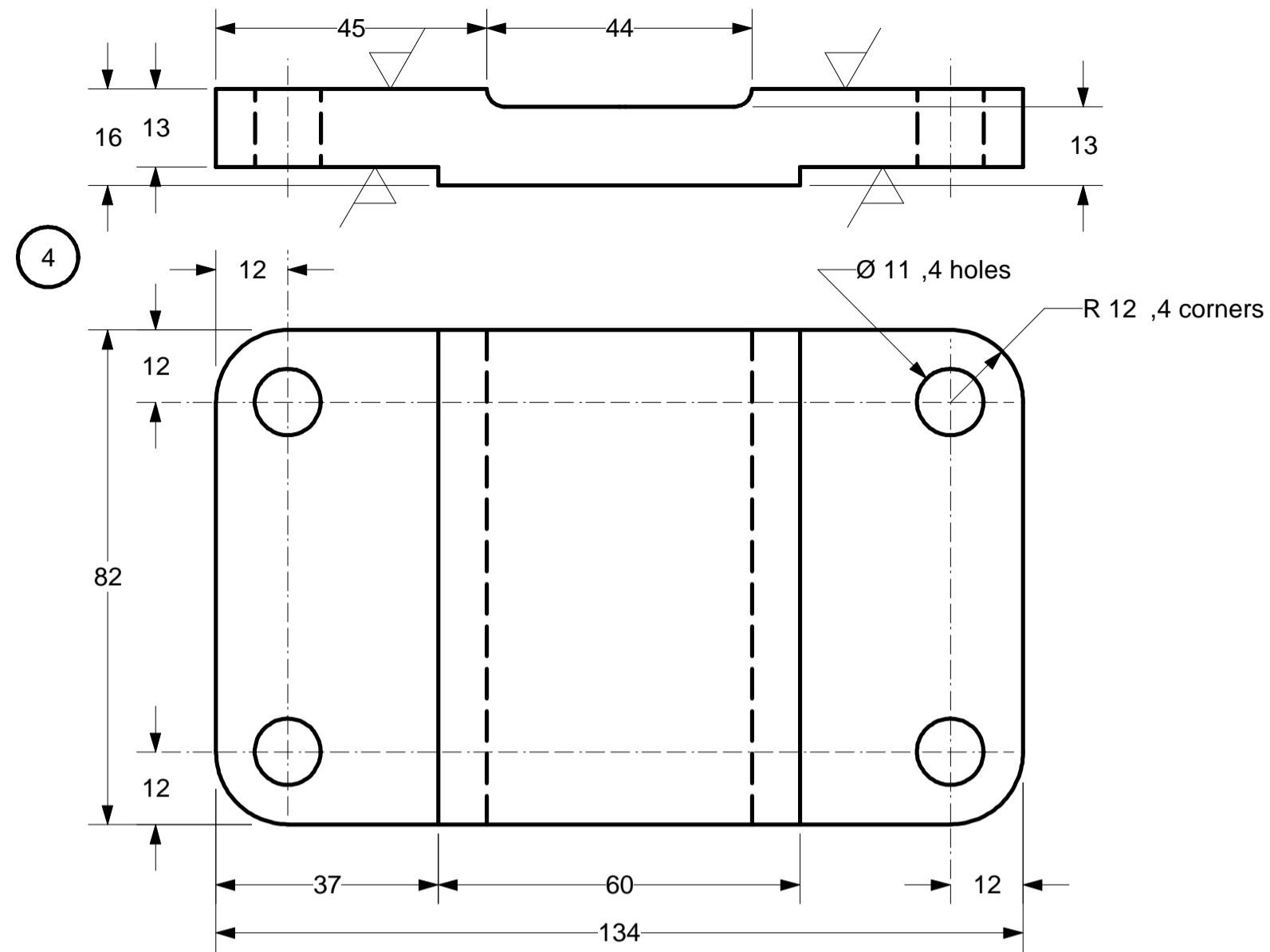
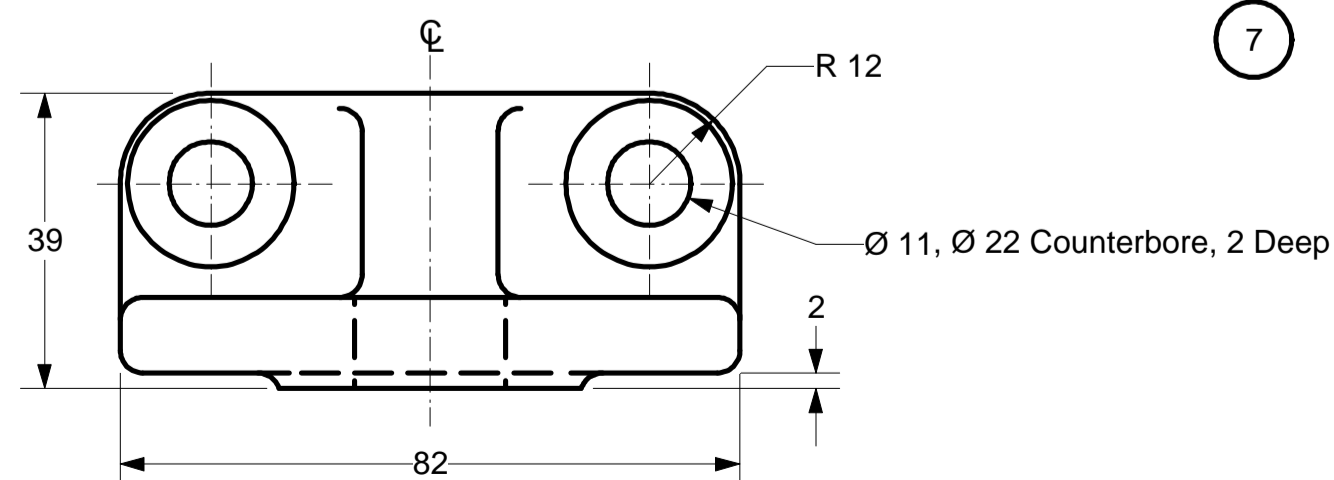


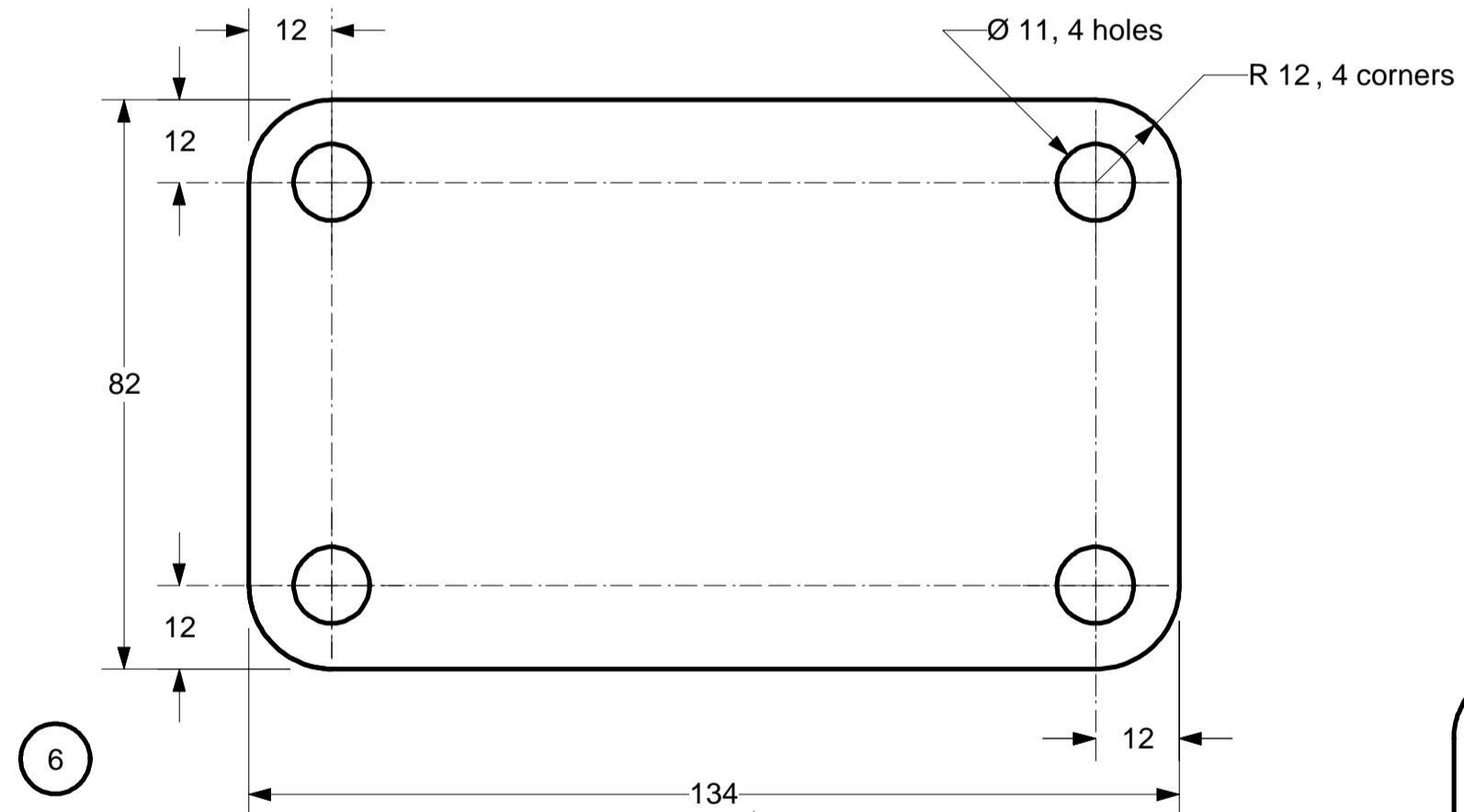
5



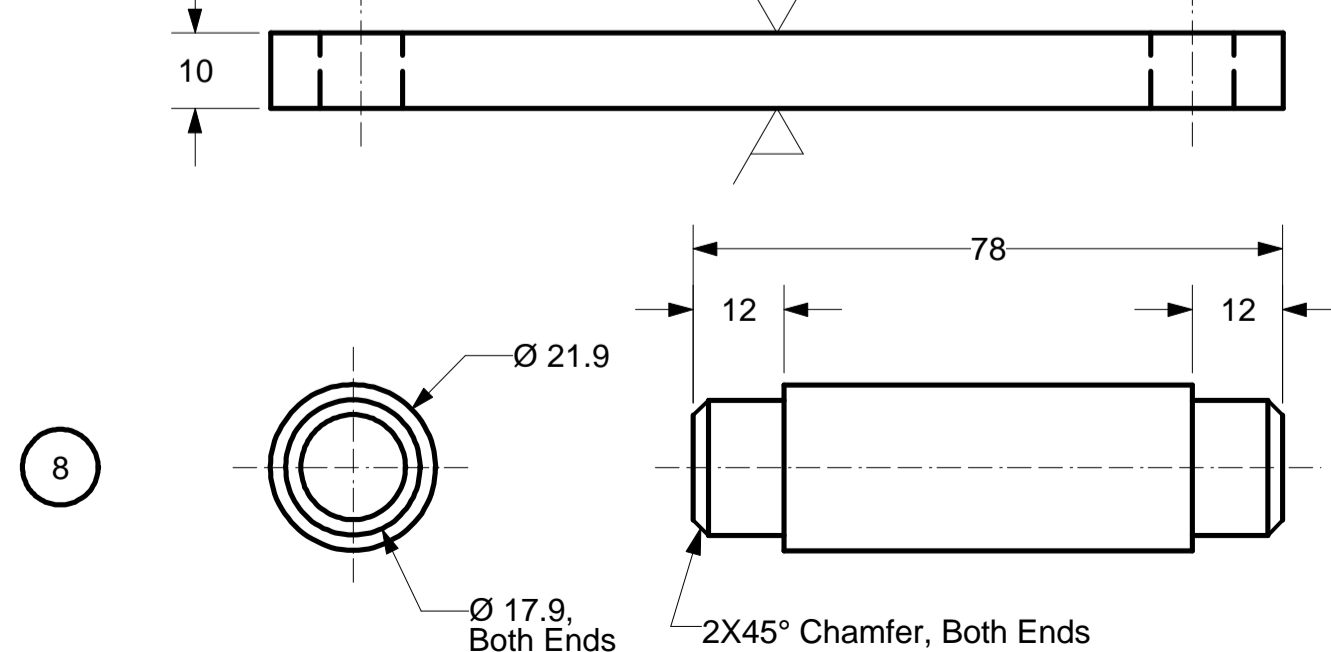
7



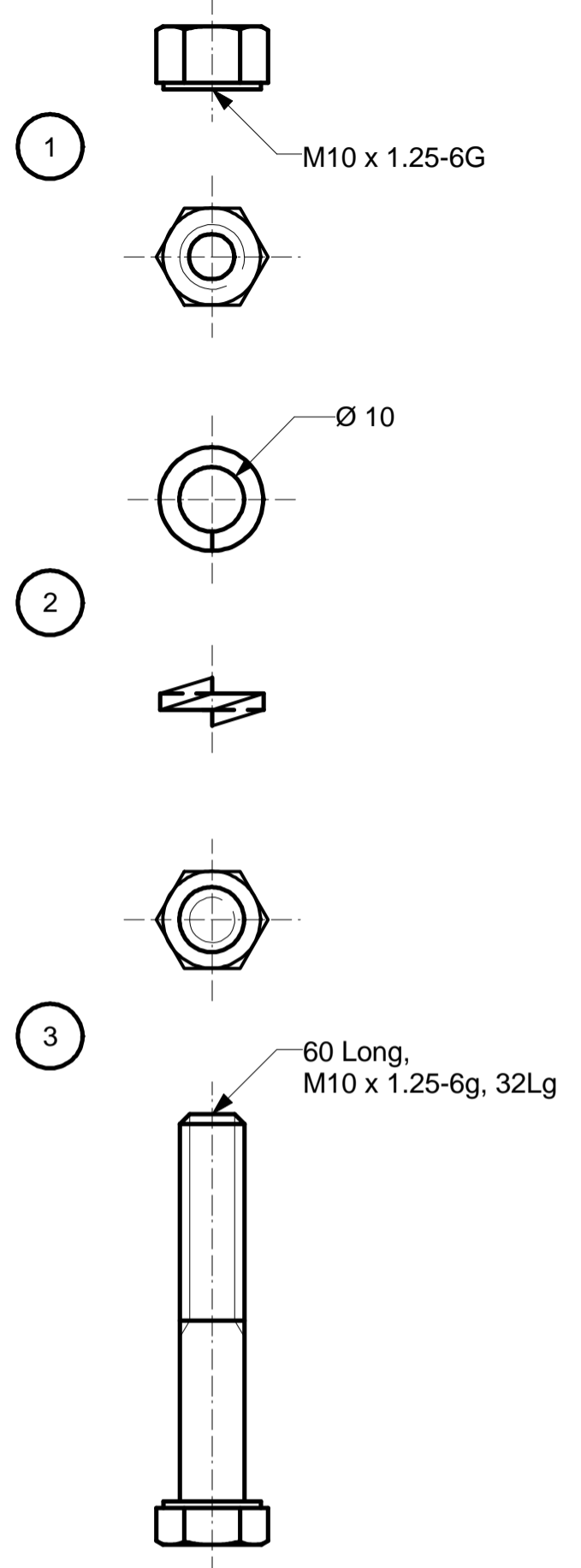
4



6

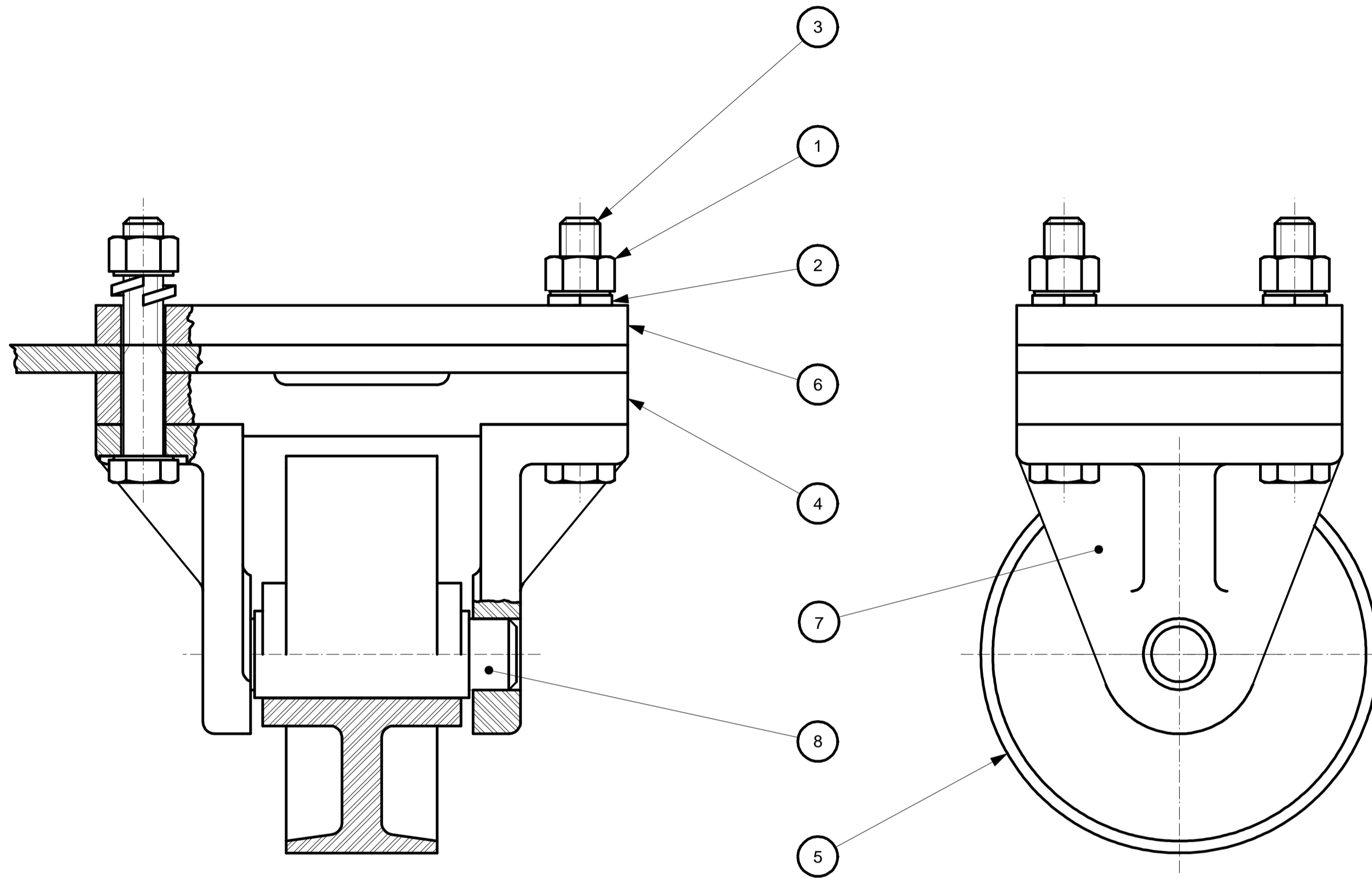


8

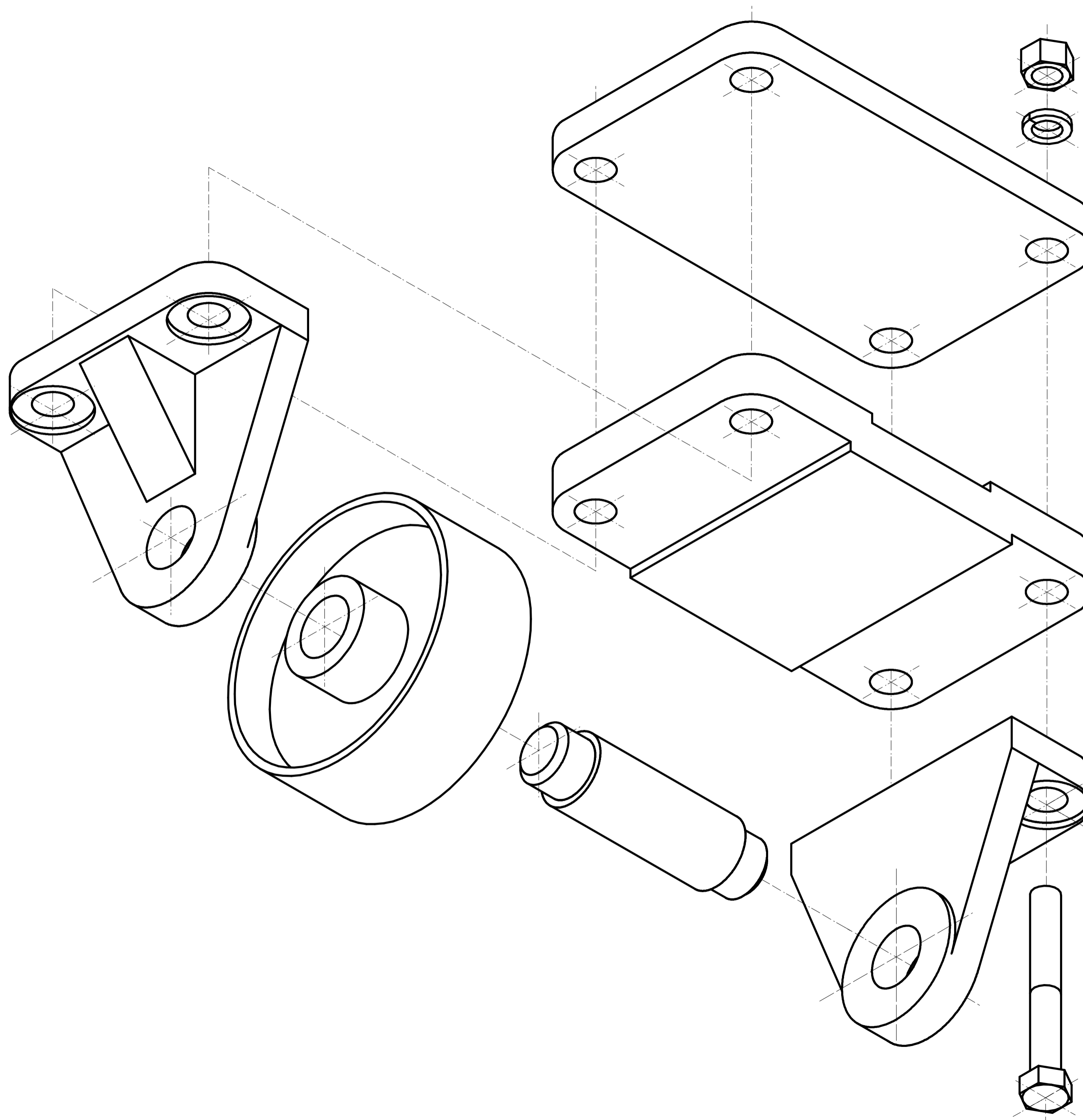


Note: Part # 1, 2, and 3 are purchased items. Unless otherwise specified, all rounds and fillets are R. 3mm.

CPP CAD DRAFTING			
TECHNOLOGY EDUCATION DEPARTMENT			
MOUNT DOUGLAS SECONDARY SCHOOL			
NO.	REQ.	DESCRIPTION	MATERIAL
8	1	Axle	Steel
7	2	Axle Support	Cast Steel
6	1	Mounting Plate	Cast Steel
5	1	Wheel	Cast Steel
4	1	Top Plate	Cast Steel
3	4	Bolt	Purchased
2	4	Lock Washer	Purchased
1	4	Hex Nut	Purchased
Plate Caster			PLATE 1 OF 3
CHECKED BY:		SCALE: M 1:1	
DATE: 12/14/98		DRAWN BY: Dylan Hoen bkc09	



<b>CPP CAD DRAFTING</b>		
TECHNOLOGY EDUCATION DEPARTMENT		
MOUNT DOUGLAS SECONDARY SCHOOL		
Plate Caster		<b>PLATE</b>
CHECKED BY:	SCALE: M 1:1	
DATE: 12/14/98	DRAWN BY: Dylan Hoen bkc09	2 OF 3



<b>CPP CAD DRAFTING</b>		<b>PLATE</b>
TECHNOLOGY EDUCATION DEPARTMENT		
MOUNT DOUGLAS SECONDARY SCHOOL		3 OF 3
Plate Caster		
CHECKED BY:	SCALE: M 1:1	
DATE: 12/14/98	DRAWN BY: Dylan Hoen bkc09	